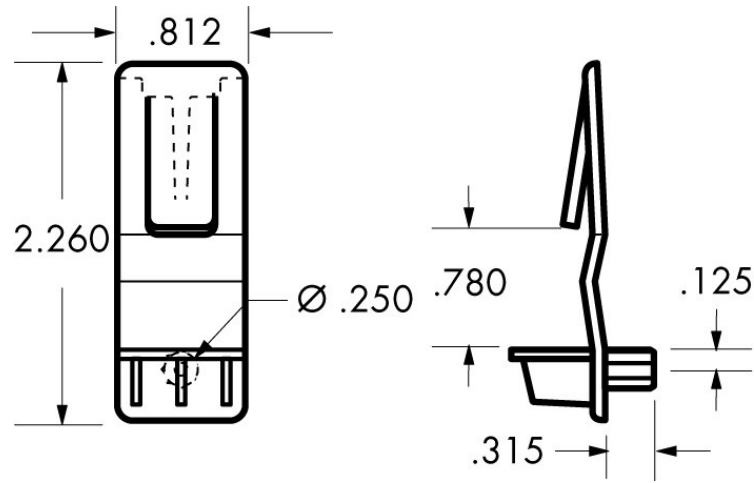


# Shear Test

T-604-00 (.25" Dowel)

Property of Tenn-Tex Plastics, Inc.



CAV	SHEAR LBS
1	343
2	332
3	353
4	345.5
5	346
6	344
7	345.5
8	334.5
9	346.5
10	359.5
11	345.5
12	355.5
13	340.5
14	354
15	350.5
16	342

CAV	SHEAR LBS
1	333
2	336.5
3	348
4	338
5	350.5
6	343
7	348
8	329
9	352.5
10	355
11	342.5
12	352.5
13	339
14	349
15	353.5
16	363

CAV	SHEAR LBS
1	333
2	336.5
3	342
4	344.5
5	344.5
6	342
7	353.5
8	324.5
9	331.5
10	353
11	345.5
12	345
13	336
14	355.5
15	354
16	360

CAV	SHEAR LBS
1	328.5
2	333.5
3	350.5
4	354.5
5	344
6	345.5
7	345.5
8	341
9	336.5
10	359
11	344
12	352
13	352.5
14	352
15	352
16	359

**AVERAGE: 345.65 lbs.**

