



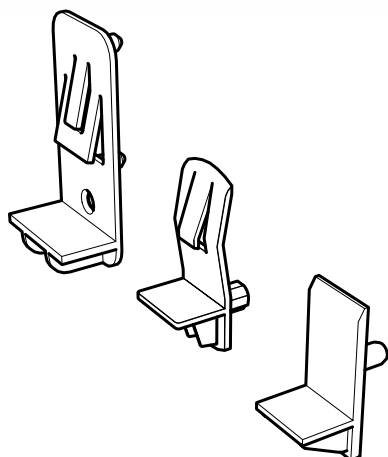
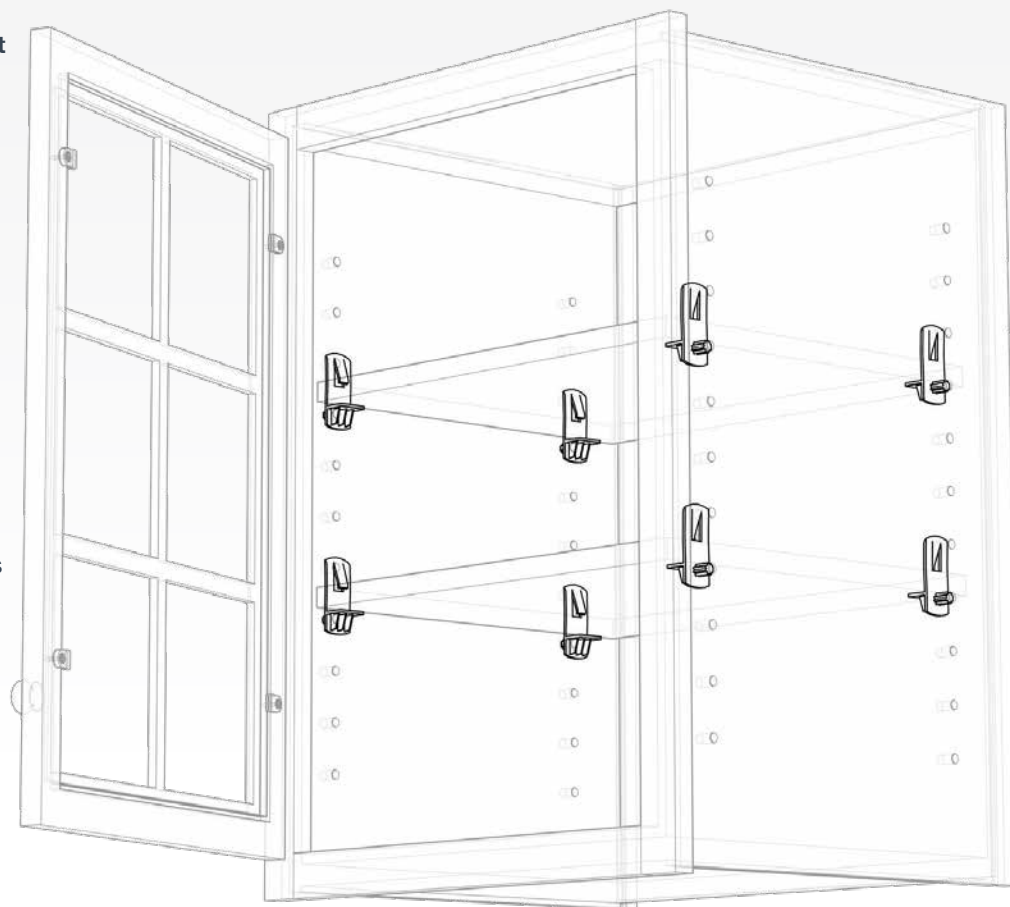
SHELF SUPPORTS

VARIETY WITH CONSISTENT QUALITY

Tenn-Tex provides a wide assortment of shelf supports to fit your needs. From locking supports for securely holding shelves in shipping or an institutional shelf support for heavy-duty applications, our products are designed and manufactured for performance and reliability.

We offer shelf supports with 1/4" or 5mm diameter dowels, for 1/2", 15mm, 5/8", and 3/4" shelves, and a variety of colors. We also provide shelf brackets and mullion supports.

Our popular T-800 series shelf supports are tested up to 140 lbs of shear strength, and our T-600 series are tested to more than 200 lbs.

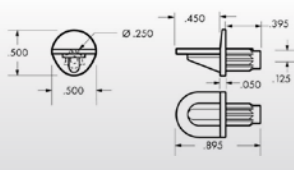
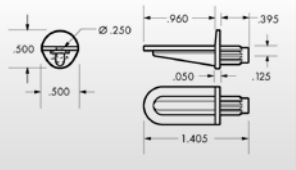
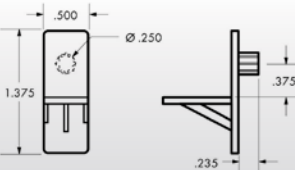
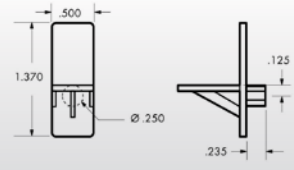
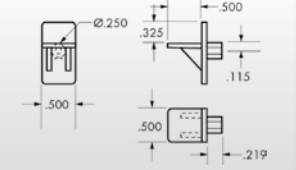
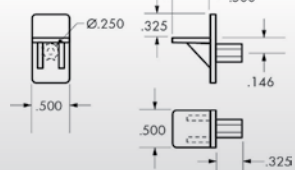


All materials ©2024 TennTex Plastics • We recommend test fitting to ensure proper function • Products in this brochure are Patented or Patent Pending.

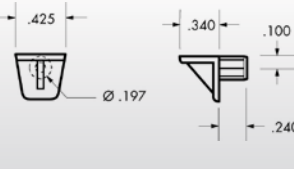
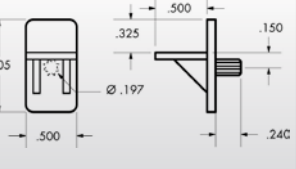
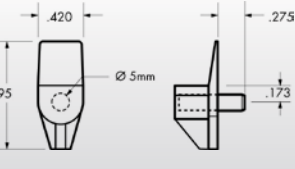


INDIVIDUAL SHELF SUPPORTS

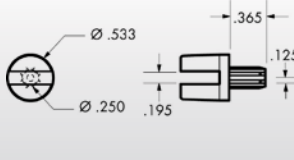
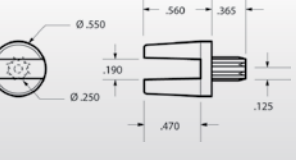
1/4" DOWEL SHELF SUPPORTS

T-610  1/4" Diameter Dowel .395" Dowel Length Box wt 54 lbs Box qty 20,000 Pallet 640,000 Colors: Clear T-610	T-613  1/4" Diameter Dowel .395" Dowel Length Box wt 28 lbs Box qty 10,000 Pallet 320,000 Colors: Clear T-613	T-632  1/4" Diameter Dowel .225" Dowel Length Box wt 22 lbs Box qty 5,000 Pallet 160,000 Colors: Clear T-632
T-633  1/4" Diameter Dowel .225" Dowel Length Box wt 22 lbs Box qty 5,000 Pallet 160,000 Colors: Clear T-633	T-635-01  1/4" Diameter Dowel .225" Dowel Length Box wt 20 lbs Box qty 8,000 Pallet 256,000 Colors: Clear T-635-01	T-636  1/4" Diameter Dowel .325" Dowel Length Box wt 21 lbs Box qty 8,000 Pallet 256,000 Colors: Clear T-636 White T-636-01 Toffee T-636-02

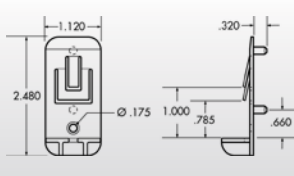
5MM DOWEL SHELF SUPPORTS

T-820  5mm Diameter Dowel .240" Dowel Length Box wt 29 lbs Box qty 30,000 Pallet 950,000 Colors: Clear T-820	T-835  5mm Diameter Dowel .240" Dowel Length Box wt 26 lbs Box qty 8,000 Pallet 256,000 Colors: Clear T-835 Vanilla T-835-01	T-891 METAL SHELF SUPPORT PIN  5mm Diameter Dowel .275" Dowel Length Box wt 33 lbs Box qty 5,000 Pallet 240,000 Colors: Clear T-891
--	---	---

GLASS SHELVING SHELF SUPPORTS

T-615  1/4" Dowel, .365" Dowel Length Slotted Pin 1/8" Glass Box wt 36 lbs Box qty 9,500 Pallet 304,000 Colors: Clear T-615	T-619  1/4" Dowel, .365" Dowel Length Slotted Pin 1/8" Glass Box wt 19 lbs Box qty 4,000 Pallet 300,000 Colors: Clear T-619
--	--

INSTITUTIONAL SHELF SUPPORTS

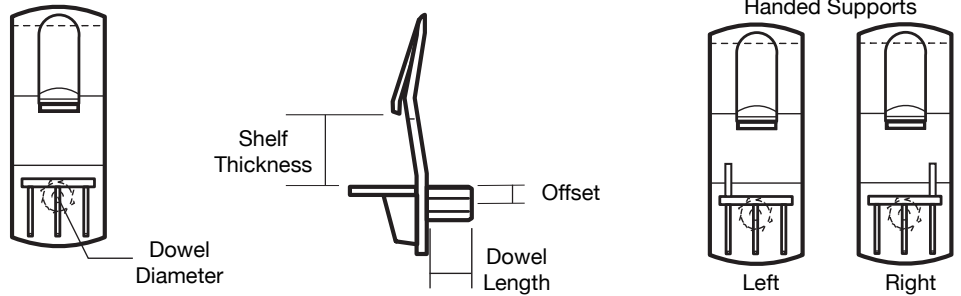
T-803  5mm Twin Dowels Supports 3/4" & 1" Shelves Box wt 15 lbs Box qty 1,000 Pallet 32,000 Colors: Clear T-803-00 White T-803-01

Passes **300 pound** shear test
 For all heavy-duty applications
 Ideal for Commercial or Institutional Furniture
 Use with 3/4" or 1" thick shelves and solid end panels only
 Twin 5mm dowels
 Made from ultra strong, clear polycarbonate
 Can be screwed to side panel for added security
 Shelf can be screwed to shelf support
 Shelf cut size = Inside cabinet width minus 6mm



600 SERIES LOCKING SHELF SUPPORTS

1/4" DOWEL DIAMETER

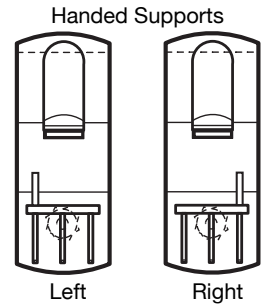
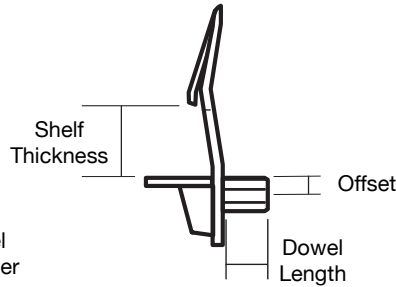
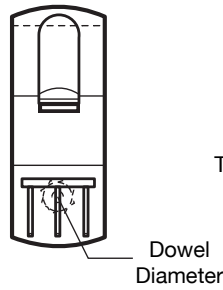


Item Number	Dowel Dia.	Shelf Thickness				Dowel Length	Handed	Offset	Shelf Clearance		Color	Box Qty	Box Weight	Pallet Qty
		1/2"	5/8"	3/4"	15mm				Inches	mm				
T-600-00	1/4"	1/2"				.300"		.125"	5mm	.196"	Clear	4,000	21	128,000
T-600-01	1/4"	1/2"				.300"	Left	.125"	5mm	.196"	Clear	4,000	21	128,000
T-600-02	1/4"	1/2"				.300"	Right	.125"	5mm	.196"	Clear	4,000	21	128,000
T-600-03*	1/4"	1/2"				.225"		.125"	5mm	.196"	Clear	4,000	21	128,000
T-600-04*	1/4"	1/2"				.225"	Left	.125"	5mm	.196"	Clear	4,000	21	128,000
T-600-05*	1/4"	1/2"				.225"	Right	.125"	5mm	.196"	Clear	4,000	21	128,000
T-600-06	1/4"	1/2"				.300"		.125"	5mm	.196"	Toffee	4,000	21	128,000
T-601-00	1/4"		5/8"			.300"		.125"	5mm	.196"	Clear	3,500	18	112,000
T-601-01	1/4"		5/8"			.300"	Left	.125"	5mm	.196"	Clear	3,500	19	112,000
T-601-02	1/4"		5/8"			.300"	Right	.125"	5mm	.196"	Clear	3,500	20	112,000
T-601-03*	1/4"		5/8"			.225"		.125"	5mm	.196"	Clear	3,500	20	112,000
T-601-04*	1/4"		5/8"			.225"	Left	.125"	5mm	.196"	Clear	3,500	20	112,000
T-601-05*	1/4"		5/8"			.225"	Right	.125"	5mm	.196"	Clear	3,500	20	112,000
T-602-00	1/4"			3/4"		.300"		.125"	5mm	.196"	Clear	3,000	19	96,000
T-602-01	1/4"			3/4"		.300"	Left	.125"	5mm	.196"	Clear	3,000	19	96,000
T-602-02	1/4"			3/4"		.300"	Right	.125"	5mm	.196"	Clear	3,000	19	96,000
T-602-03*	1/4"			3/4"		.225"		.125"	5mm	.196"	Clear	3,000	19	96,000
T-602-04	1/4"			3/4"		.300"		.125"	5mm	.196"	Toffee	3,000	19	96,000
T-602-05	1/4"			3/4"		.300"		.125"	5mm	.196"	White	3,000	19	96,000
T-602-06*	1/4"			3/4"		.225"	Left	.125"	5mm	.196"	Clear	3,000	19	96,000
T-602-07*	1/4"			3/4"		.225"	Right	.125"	5mm	.196"	Clear	3,000	19	96,000
T-604-00	1/4"			3/4"		.315"		.125"	6mm	.236"	Clear	1,800	19	57,600
T-604-03	1/4"			3/4"		.315"		.125"	6mm	.236"	Natural	1,800	17	57,600
T-605-00	1/4"				15mm	.310"		.125"	6mm	.236"	Clear	2,000	17	64,000
T-605-01	1/4"				15mm	.310"	Left	.125"	6mm	.236"	Clear	2,000	18	64,000
T-605-02	1/4"				15mm	.310"	Right	.125"	6mm	.236"	Clear	2,000	18	64,000

*short dowel

800 SERIES LOCKING SHELF SUPPORTS

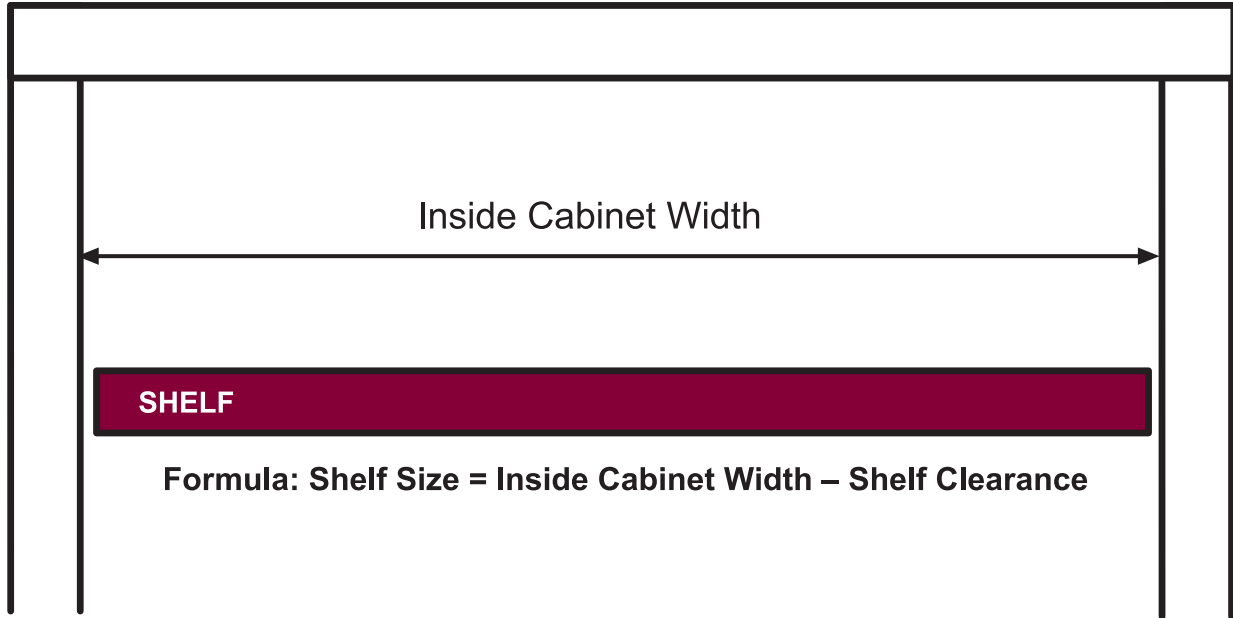
5MM DOWEL DIAMETER



Item Number	Dowel Dia.	Shelf Thickness			Dowel Length	Handed	Offset	Shelf Clearance		Color	Box Qty	Box Weight	Pallet Qty
		1/2"	5/8"	3/4"				Inches	mm				
T-800-00	5mm	1/2"			.240"		.125"	5mm	.196"	Clear	4,000	20	128,000
T-800-01	5mm	1/2"			.240"	Left	.125"	5mm	.196"	Clear	4,000	21	128,000
T-800-02	5mm	1/2"			.240"	Right	.125"	5mm	.196"	Clear	4,000	21	128,000
T-800-03	5mm	1/2"			.240"		.125"	5mm	.196"	White	4,000	20	128,000
T-801-00	5mm		5/8"		.240"		.125"	5mm	.196"	Clear	3,500	19	112,000
T-801-01	5mm		5/8"		.240"	Left	.125"	5mm	.196"	Clear	3,500	19	112,000
T-801-02	5mm		5/8"		.240"	Right	.125"	5mm	.196"	Clear	3,500	19	112,000
T-801-03	5mm		5/8"		.240"		.125"	5mm	.196"	White	3,500	20	112,000
T-801-05	5mm		5/8"		.240"		.125"	5mm	.196"	Toffee	3,500	20	112,000
T-801-06	5mm		5/8"		.240"		.125"	5mm	.196"	White	3,500	20	112,000
T-802-00	5mm			3/4"	.240"		.125"	5mm	.196"	Clear	3,000	19	96,000
T-802-01	5mm			3/4"	.240"	Left	.125"	5mm	.196"	Clear	3,000	20	96,000
T-802-02	5mm			3/4"	.240"	Right	.125"	5mm	.196"	Clear	3,000	20	96,000
T-802-03	5mm			3/4"	.240"		.125"	5mm	.196"	White	3,500	20	112,000
T-802-05	5mm			3/4"	.240"		.125"	5mm	.196"	Toffee	3,500	20	112,000
T-802-06	5mm			3/4"	.240"		.125"	5mm	.196"	Vanilla	3,500	20	112,000
T-802-07	5mm			3/4"	.240"	Left	.125"	5mm	.196"	Vanilla	3,500	20	112,000
T-802-08	5mm			3/4"	.240"	Right	.125"	5mm	.196"	Vanilla	3,500	20	112,000
T-802-09	5mm			3/4"	.240"	Left	.125"	5mm	.196"	White	3,500	20	112,000
T-802-10	5mm			3/4"	.240"	Right	.125"	5mm	.196"	White	3,500	20	112,000

Trial applications are highly recommended. Some part numbers may have quantity restrictions or additional packaging options. Consult our website for dimensional drawings of parts. If you have questions on parts or availability, please contact Tenn-Tex Plastics before ordering.

RECOMMENDED CUT SIZE FOR SHELF SUPPORTS

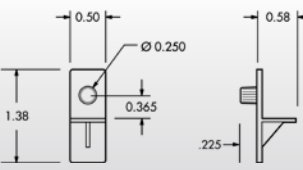
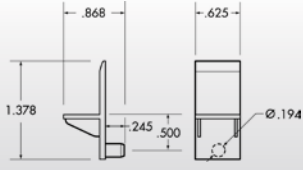
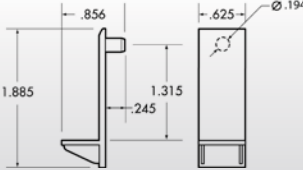
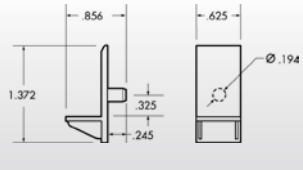
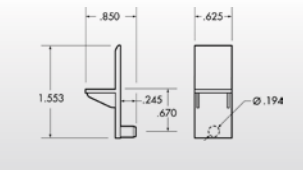
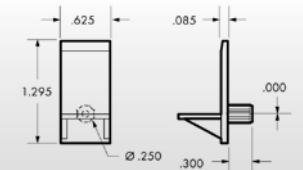
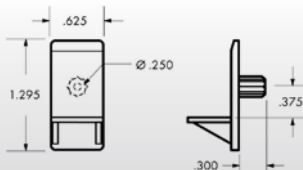
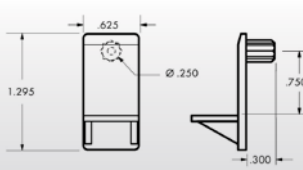


PART#	SHELF CLEARANCE	
	MM	INCHES
T-600	5mm	.196
T-601	5mm	.196
T-602	5mm	.196
T-604	6mm	.236
T-605	6mm	.236
T-610	4mm	.157
T-613	4mm	.157
T-615	6mm	.236
T-617	6mm	.236
T-619	6mm	.236
T-620	4mm	.157
T-621	4mm	.157
T-622	4mm	.157

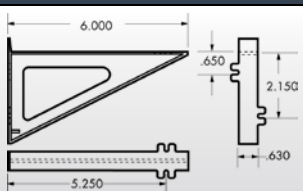

PART#	SHELF CLEARANCE	
	MM	INCHES
T-632	4mm	.157
T-633	4mm	.157
T-635	4mm	.157
T-636	4mm	.157
T-695	2mm	.078
T-800	5mm	.196
T-801	5mm	.196
T-802	5mm	.196
T-803	6mm	.236
T-820	2mm	.078
T-831	4mm	.157
T-835	4mm	.157
T-891	5mm	.196
T-895	2mm	.078

MISCELLANEOUS SHELF SUPPORTS

MULLION SHELF SUPPORTS

<p>C-203 1/4" Dowel, .395" Offset .225" Dowel Length</p>  <p>Box wt 18 lbs Box qty 1,000 Pallet 16,000</p> <p>Colors: Clear C-203</p>	<p>C-260 5mm Dowel, .500" Offset .245" Dowel Length</p>  <p>Box wt 23 lbs Box qty 5,000 Pallet 160,000</p> <p>Colors: Clear C-260</p>	<p>C-261 5mm Dowel, 1.315" Offset .245" Dowel Length</p>  <p>Box wt 23 lbs Box qty 4,000 Pallet 128,000</p> <p>Colors: Clear C-261</p>
<p>C-262 5mm Dowel, .325" Offset .245" Dowel Length</p>  <p>Box wt 23 lbs Box qty 5,000 Pallet 160,000</p> <p>Colors: Clear C-262</p>	<p>C-263 5mm Dowel, .670" Offset .245" Dowel Length</p>  <p>Box wt 23 lbs Box qty 5,000 Pallet 160,000</p> <p>Colors: Clear C-263</p>	<p>T-620 1/4" Dowel, .000" Offset .300" Dowel Length</p>  <p>Box wt 23 lbs Box qty 5,000 Pallet 160,000</p> <p>Colors: Clear T-620</p>
<p>T-621 1/4" Dowel, .375" Offset .300" Dowel Length</p>  <p>Box wt 23 lbs Box qty 5,000 Pallet 160,000</p> <p>Colors: Clear T-621</p>	<p>T-622 1/4" Dowel, .750" Offset .300" Dowel Length</p>  <p>Box wt 23 lbs Box qty 5,000 Pallet 160,000</p> <p>Colors: Clear T-622</p>	

SHELF BRACKETS

<p>T-662 Shelf Bracket w/ Horizontal tabs 6"</p>  <p>Box wt 19 lbs Box qty 300 Pallet 5,400</p> <p>Colors: Natural T-662</p>	
--	---