

T-194/T-195

TEK-TEN

False Front Clips
simple solutions

T-190 False Front Dowel
for #8 or # 6 x 1" RHP Screw



23 lbs
8000

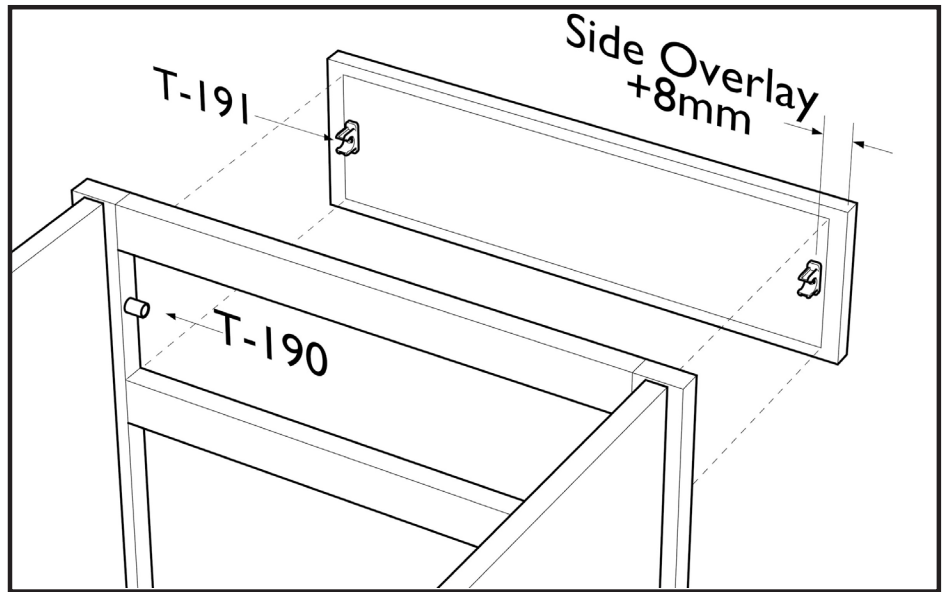
Also Available:
B-172 (100 per bag) 25 Bags/Box
B-414 (1000 per bag) 1 Bag/ Box

T-191 False Front Clip



34 lbs
8000

Also Available:
B-173 (100 per bag) 25 Bags/Box
B-485 (1000 per bag) 1 Bag/ Box



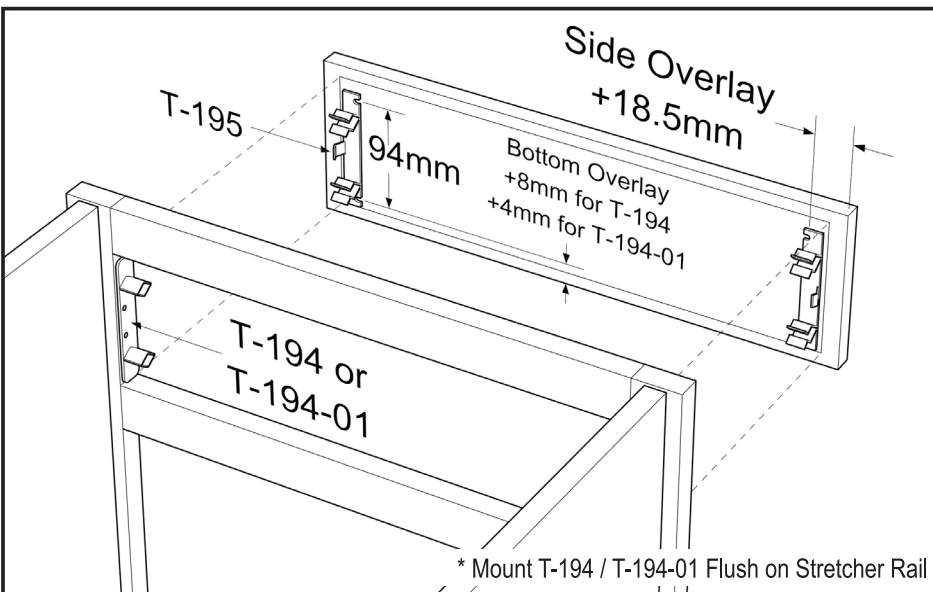
"Cost Effective Fix for your false front applications"

Tenn-Tex Plastics, Inc.



*"Attach Finished Fronts
to Cabinets for
Quick & Easy Access.
Ideal for Access Panels.
Removable, but Secure"*

Tenn-Tex Plastics, Inc.



* Mount T-194 / T-194-01 Flush on Stretcher Rail

T-194 False Front Twin Dowel
for 4.5" Opening



17 lbs
800

Also Available:
B-339 (T-194 x2, T-195 x2, & 4 screws)
50 Bags/Box

*works with T-195

T-194-01 False Front Twin Dowel
for 4" Opening



17 lbs
800

Also Available:
B-340 (T-194-01 x2, T-195 x2, & 4 screws)
50 Bags/Box

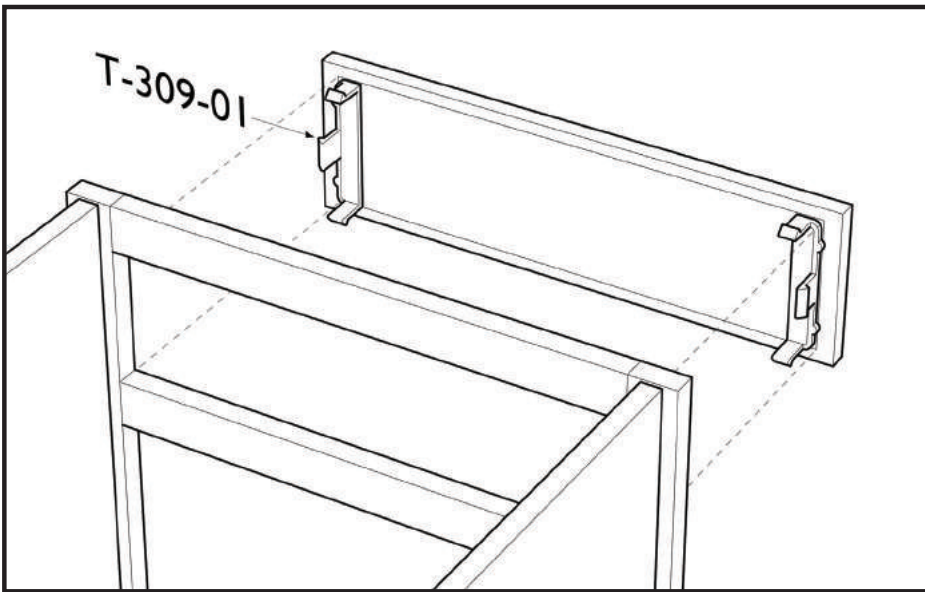
*works with T-195

T-195 False Front Twin Dowel Clip
works with T-194 & T-194-01



17 lbs
800

Also Available:
B-339 (T-194 x2, T-195 x2, & 4 screws)
B-340 (T-194-01 x2, T-195 x2, & 4 screws)



T-304

False Front Clip
for 4.5" Opening



 12 lbs
 500

Also Available:
T-300 available for 4" Opening

T-309-01

False Front Clip w/
Standoff for 4.5" Opening



 15 lbs
 500

*4mm stand off

Also Available:

*"Both the T-304 and the T-309-01 **Click** into place.
This action gives the false front a **Precise fit**"*

Tenn-Tex Plastics, Inc.

T-900

False Front Turnbuckle
for 4.5" Opening

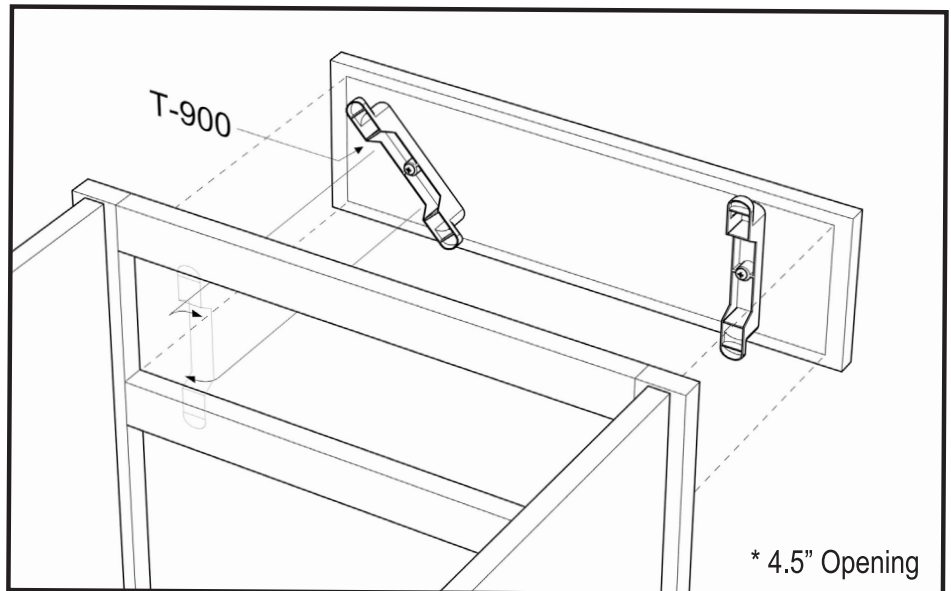


 26 lbs
 700

Also Available:

*"The Turnbuckle swivels into
place allowing for **Quick & Easy**
Installation and Removal"*

Tenn-Tex Plastics, Inc.



Recommended Screws and Information

T-190

HAR-011: #8 or #6 x 1" RH Phillips Type Screw

T-191

HAR-043: #6 x 1/2" FH Zinc Phillips Type Screw

T-194, T-194-01 & T-195 (B-339 & B-340)

HAR-048: #6 x 1/2" TH Phillips Type Screw

T-304 & T-309-01

Staples

T-900

HAR-101 #8 x 1" Washerhead Type 17 Screw

recommendation based on a 3/4" Drawer Front



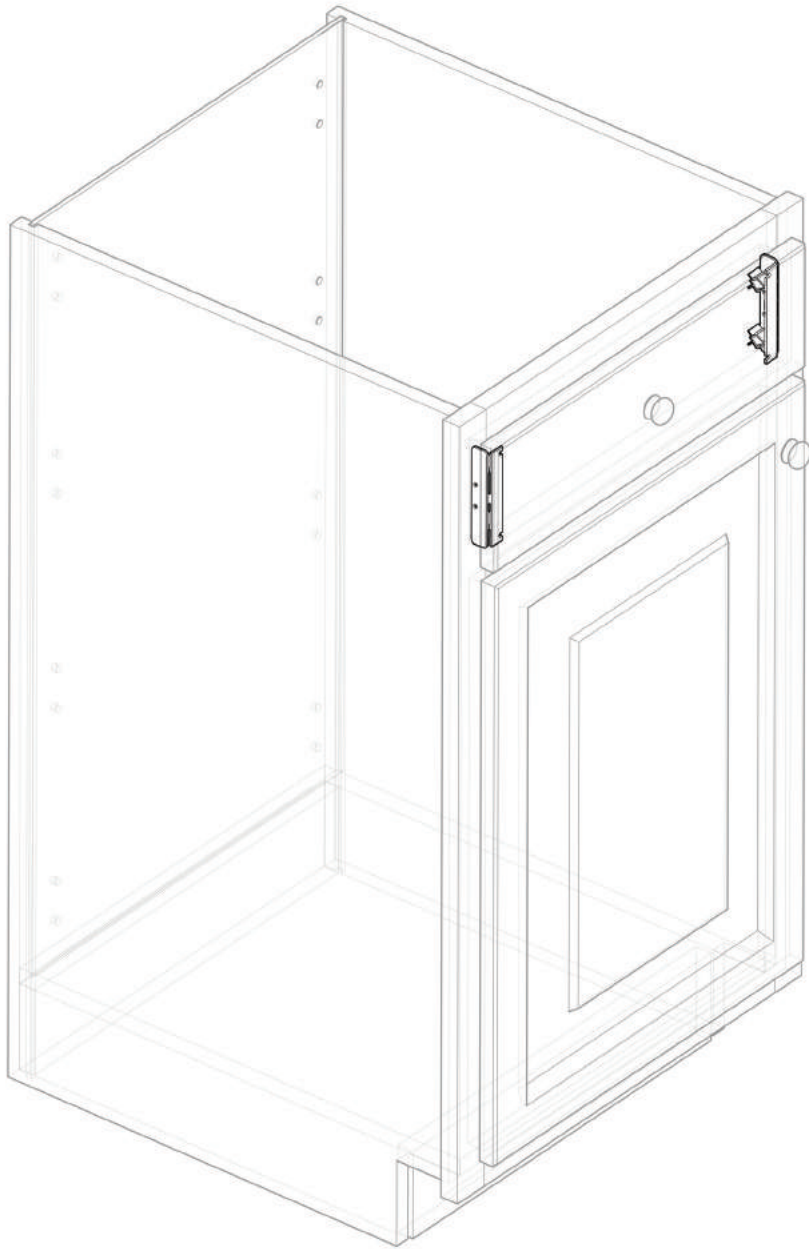
**BOX
WEIGHT**



**BOX
QUANTITY**

Trial applications are highly recommended. Some part numbers may have quantity restrictions or additional packaging options. Consult our website for dimensional drawings of parts. If you have questions on parts or availability, please contact Tenn-Tex Plastics before ordering.

The TENN-TEX Plastics Advantage



False Front Clips **simple solutions**

TENN-TEX
 **PLASTICS INC.**

1.800.TENN.TEX • 8011 National Service Road
Colfax, NC 27235 • WWW.TENNTEX.COM



October
2015



Made in the USA

The parts contained in this brochure may be covered under patents held by Tenn-Tex Plastics, Inc.