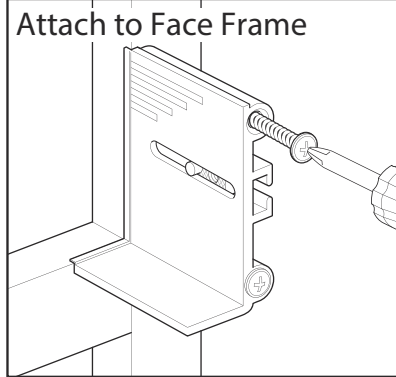


# ***Inset BRACKETS*** the adjustable solution

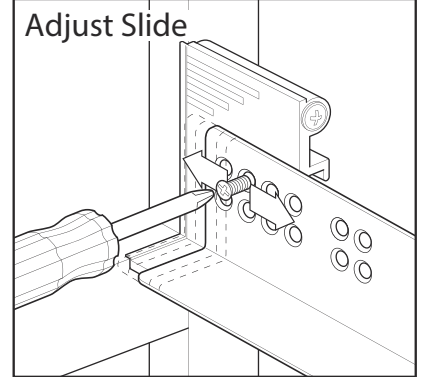
## **B-393**

**contents:**  
 T-350/T-350-01 Inset Bracket (1 each)  
 HAR-077 Tapped Insert (2 Pre-Installed)  
 HAR-079 #7x2 Washerhead Combo Type 17 Screw (4)  
 HAR-080 #8-32x1/2 Machine Screw (2)

Attach to Face Frame



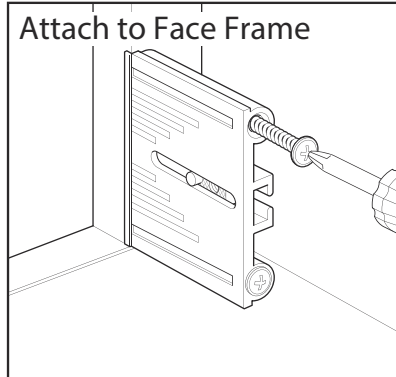
Adjust Slide



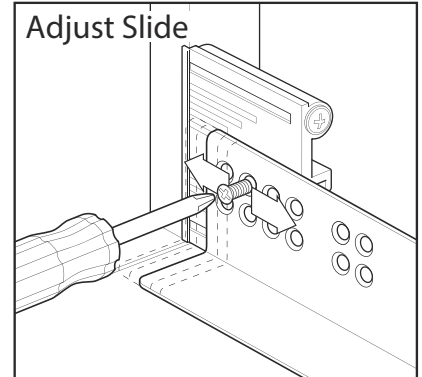
## **B-394**

**contents:**  
 T-349 Universal Inset Bracket (2)  
 HAR-077 Tapped Insert (2 Pre-Installed)  
 HAR-079 #7x2 Washerhead Combo Type 17 Screw (4)  
 HAR-080 #8-32x1/2 Machine Screw (2)

Attach to Face Frame



Adjust Slide



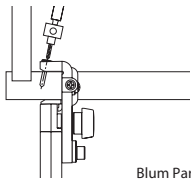
## **B-427** for Undermount Drawer Slides

Replaces BLUM  
 Part # 295.7130

**Contents:**  
 T-352-A Inset Bracket (2)                      HAR-079 #7 x 2" truss head, type 17 screw (4)  
 HAR-080 #8 - 32 x 1/2" machine screw (2)      HAR-083 #6 - 18 x 3/4" truss head, type 17 screw (4)

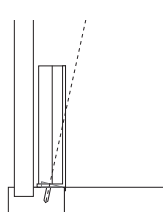
Works with all face frame inset applications (including beaded inset and flush bottom)

**1** Using Blum's PlateMate, pre-bore two Ø2.5 mm holes 32 mm apart and 1/2" deep

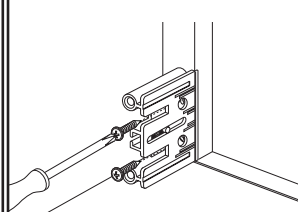


Blum Part No.  
 65.5030.01

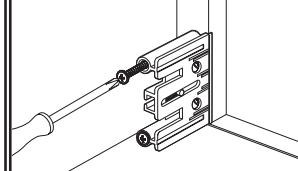
**2** Align the inset bracket with the pre-bored holes



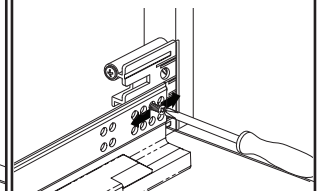
**3** Mount the inset bracket with two #6 x 3/4" wood screws



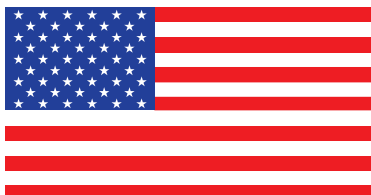
**4** Secure the inset bracket with two #7 x 2" wood screws to ensure holding strength and durability



**5** Attach and Secure the slide to the threaded insert with one #8-32 machine screw



Patent Pending



Made in USA  
 Patent Pending

# ***INSTRUCTIONS***

artwork may differ from bag art